



KT-200
English / Français / Español

**DOOR CONTROLLER
INSTALLATION MANUAL
PAGE 2**

**CONTRÔLEUR DE PORTE
MANUEL D'INSTALLATION
PAGE 7**

**PROCEDIMIENTO DE INSTALACIÓN DEL
CONTROLADOR DE PUERTAS
PAGINA 13**



Installers familiar with the installation can use the checklist with the “” symbol

Step 1. Preparing to install the KT-200

- Required to install the KT-200:**
 - **KT-200 controller**
 - **EOLs resistors for inputs**
 - **Keys to open KT-200 cabinet**
 - **AC Transformer**
 - **Two 12 volt batteries 7A/H**
 - **Ground clamp**
 - **1 EPROM compatible with your software**

A visual verification should be made when unpacking the KT-200. Any missing item or damaged component should be reported immediately. Install the associated software EPROM on the KT-200's EPROM socket located directly above the on-board lithium battery. As with every other chip on the pc board, the EPROM alignment notch should be pointing to the top of the pc board.

Step 2. Physical Installation

- Check for ideal location indoors**
- Stay away from electrical or communication devices**

The KT-200 controller cabinet has been designed to be mounted on a wall without any additional enclosures. The cabinet is large enough to accommodate the battery backup supply and the necessary wiring connections for most applications. EMT conduit knock-outs are provided in 1/2" and 3/4" on all sides of the cabinet. The cabinet should be mounted indoors, in a secure location providing normal temperature and humidity levels, leaving 23 cm (8 inches) clear space around all sides and a minimum of 33 cm (13 inches) clear space in front of the cabinet. The location should be easily accessible for servicing the equipment and it is recommended that controllers be located near the controlled doors.

The controllers must be located at a minimum distance of 2 meters (6 feet) from any high voltage equipment or wiring, at a minimum distance of 2 meters (6 feet) from electrical equipment susceptible of generating electrical interference, at a minimum distance of 1 meter (3 feet) from telephone equipment or lines and, at a minimum of 8 meters (25 feet) from any transmitting equipment. Finally, physical access by keys on controlled doors must be provided so that the KT-200 can be accessed for servicing in case of malfunctions.

Step 3. Power requirements

- DO NOT POWER AT THIS POINT!**
- Install 24VAC/75VA transformer**
- Locate batteries in cabinet**
- DO NOT POWER AT THIS POINT!**

The KT-200 controller must be powered by a 24VAC/75VA wire-in transformer. The transformer is usually mounted by a licensed electrician on a 4" X 4" electrical box located within 8m (25 feet) the unit.

Power should only be applied to the unit when all connections are completed and tested.

When AC power is present, the green LED will be on. After the unit is running, if the AC supply is removed, the battery backup will support normal operation up to 20 hours with two (2) 12 volts gel type batteries of 7 Amp/hour. An internal battery verification will cut the battery power when the battery voltage level falls below 22 volts and the red DC LED indicator will remain on until the battery voltage has dropped below 18 volts.

NOTE: The KT-200 unit will not start on batteries alone. The AC supply

must be initially connected.

Step 4. Grounding

- AWG#18 grounding wire to GND**

Since the KT-200 uses high performance communications, proper grounding must be provided to insure proper operation. **An AWG#18 single conductor solid copper wire must be used to ground each controller to a good earth ground as per the local electrical code (be careful about ground loops). The ground clamp should be located below any other ground.** It is also recommended to provide an AWG#18 single conductor copper wire between each controller.

Step 5. Tamper protection

- Install optional tamper switch on cabinet**

A tamper switch may be installed on the unit to detect an unauthorized opening of the cabinet. The normally closed tamper switch is connected to the TAMPER (last inputs located at the bottom of the right side connector sets.) This input must not be wired to devices outside of the KT-200 cabinet. If the tamper input is not used, install a jumper across the terminals.

Step 6. Hooking up inputs

- Check each input loop for EOL**
- Connect devices to inputs 1 to 16**
- Only one open contact per loop!**
- Green resistor for odd inputs (1,3,5,7...)**
- Red resistor for even inputs (2,4,6,8...)**

The KT-200 has the capability of monitoring 16 input points. To reduce cabling, the 16 points are grouped under 8 sets of terminals identified 1 to 16. (Installing in series with the monitored device contacts, a 7.5K Ohms (GREEN) resistor for the odd input and a 4.7K Ohms resistor (RED) for the even input, enables the KT-200 to monitor both points on one single cable pair.) To provide line security, resistors must be installed at the monitored device (contact, detector...). The resistors shipped with the KT-200 have been identified with Green for Odd (7.5K) and Red for Even (4.7K). The maximum distance of one line is 600m (2,000 feet) with AWG#22.

Inputs can be used to monitor open devices such as thermostats but it is not recommended to monitor two open contacts on one input terminal set as such wiring provides reduced line integrity.

If required, it is possible to get enhanced line integrity and 24 hour line supervision by using even resistors (Red 4.7K) with normally open contacts and using the odd resistor (Green 7.5K) as end of line. Only one point per terminal set can be monitored for devices wired in this configuration for a total of 8 inputs per KT-200.

Inputs 1-2 are ideally reserved for the first controlled door contact as input 1 and the associated request to exit detector as input 2. Inputs 9-10 are ideally reserved for the second controlled door contact as input 9 and the associated request to exit detector as input 10. There is no obligation to follow this rule but such a standard convention makes it easier for servicing.

Unused inputs on the KT-200 should be terminated by EOL resistors or defined as open inputs to reduce useless status reporting of abnormal conditions.

Step 7. Relays & Auxiliary outputs

- Connect relay to low voltage devices
- Add external relays for high voltage devices
- Connect auxiliary outputs to readers & local warning devices

The KT-200 provides 2 control relays that may be activated or deactivated by schedules or input conditions. The relays are single pole normally open and closed contacts rated at 30VDC/24VAC, 2 amp maximum.

Devices generating high levels of electrical noise or arcing (such as electro-magnet coils) should not be directly connected to these output relays as noise or arcing current could be induced into the KT-200 circuit. Use external switching relays to prevent damage to the KT-200.

Connect outputs OUT1 and OUT3 (from reader terminals) to the reader LEDs to provide visual feedback of access operation. Connect OUT2 and OUT4 to local warning devices that will signal Door alarms.

Step 8. Door locking devices

- Connect door locks to L1+ and L1- (L2+ and L2-)
- Max.250ma at 24VDC per output
- Check local "mag-locks" regulations

The locking device outputs L1 for door 1 and L2 for door 2 are located on the bottom of the power connector on the top right side of the KT-200. The locking device outputs are controlled according to the end user programmed parameters for allowing access to, or unlocking of doors according to schedules. These door locking device outputs can operate DC powered locking devices such as electro-mechanical strikes and can be configured to operate in fail-safe or fail-secure modes (normal or reverse action). The maximum DC current for each lock output is 250ma.

WARNING: Controlled door locks may be governed by regulatory bodies and should always be installed according to local regulations. In most instances, there are strict limitations to installing magnetic (mag-locks) or other similar locking devices on doors used for exit.

Step 9. Readers and keypads

READER CONNECTION TERMINAL

WARNING: Connecting the red wire lead (or power lead) of a 5VDC reader to the 24VDC terminal may damage the reader. See reader installation procedure for proper power connection.

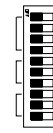
A KT-200 can control 2 readers and/or 2 keypads. These can be installed on one door to control both entry and exit or on two separate doors operating independently to control access in one direction only. The keypad can operate a door by itself or be used in conjunction with a card reader for PIN confirmation.

Using the proper cable, the readers/keypads may be located up to a distance of 150 meters (500 feet) from the KT-200. Auxiliary outputs provide access operation visual and/or audible feedback at the controlled door. Outputs OUT1 & OUT2 are used for the first door and OUT3 & OUT4 for the second door.

The 5VDC power and V++(24DC) power can also be used to power low current audible devices usually located at the controlled door.

Step 10. Dip switch settings

OFF ON



- Dips 1 to 5 for controller address
- Dip 6 & 7 PORT-1 comm speed with other KT-200s or workstation
- Dip 8 & 9 with first KT-200 (EntraPass & WinPass)
- Dip 9 & 10 PORT-2 comm speed with KT-2252 Elevator Controller

For EntraPass					
For WinPass, KL-2200 & KL-8000					
Controller Address	DIP 1	DIP 2	DIP 3	DIP 4	DIP 5
1	OFF	OFF	OFF	OFF	OFF
2	ON	OFF	OFF	OFF	OFF
3	OFF	ON	OFF	OFF	OFF
4	ON	ON	OFF	OFF	OFF
5	OFF	OFF	ON	OFF	OFF
6	ON	OFF	ON	OFF	OFF
7	OFF	ON	ON	OFF	OFF
8	ON	ON	ON	OFF	OFF
9	OFF	OFF	OFF	ON	OFF
10	ON	OFF	OFF	ON	OFF
11	OFF	ON	OFF	ON	OFF
12	ON	ON	OFF	ON	OFF
13	OFF	OFF	ON	ON	OFF
14	ON	OFF	ON	ON	OFF
15	OFF	ON	ON	ON	OFF
16	ON	ON	ON	ON	OFF
17	OFF	OFF	OFF	OFF	ON
18	ON	OFF	OFF	OFF	ON
19	OFF	ON	OFF	OFF	ON
20	ON	ON	OFF	OFF	ON
21	OFF	OFF	ON	OFF	ON
22	ON	OFF	ON	OFF	ON
23	OFF	ON	ON	OFF	ON
24	ON	ON	ON	OFF	ON
25	OFF	OFF	OFF	ON	ON
26	ON	OFF	OFF	ON	ON
27	OFF	ON	OFF	ON	ON
28	ON	ON	OFF	ON	ON
29	OFF	OFF	ON	ON	ON
30	ON	OFF	ON	ON	ON
31	OFF	ON	ON	ON	ON

The 10 DIP switches are located in the middle of the KT-200 controller circuit board. The top 5 switches (1 to 5) configure the KT-200's address and dip switches 6 & 7 set the communication PORT-1 baud rate. The factory default baud rate is set at 9,600 baud (Dip6 OFF, dip7 ON). Please refer to the following tables to set the DIP switches on the KT-200 controller. **Note: KT-2252 elevator controllers cannot be used on entraPass master controllers.** Please note that the dip switch settings will only become effective after resetting the controller by powering it off or pressing the SW3 reset switch located on the bottom left of the controller PCB.

EntraPass, WinPass, KL-2200 & KL-8000		
RS-485 Bus Speed	DIP 6	DIP 7
1200 baud	OFF	OFF
2400 baud	ON	OFF
9600 baud	OFF	ON
19200 baud	ON	ON

EntraPass V2 and WinPass only (Controller #1 only)		
	DIP 8	DIP 9
Local without VC-485	ON	ON
Local with VC-485	OFF	OFF
Controller #1 Remote (EntraPass v2)	ON	OFF

Speed for elevator controller EntraPass, KL-2200 & KL-8000		
Speed	DIP 9	DIP 10
1200 baud	OFF	OFF
2400 baud	ON	OFF
9600 baud	OFF	ON
19200 baud	ON	ON

Set all DIP switches unused at OFF.

Setting up a Local System Without a VC-485 (EntraPass & WinPass only)

- 1) Set J3 to the DOWN position (RS-232 mode) on the KT-200.
- 2) Set dipswitches 8 and 9 to ON on the KT-200 that will be connected to the Host (this sets up the KT-200 as a master controller without modem).
- 3) Set dipswitch 1 to ON. Press RESET. Set dipswitch 1 to OFF. Press RESET again (this procedure initializes the KT-200 as a master controller with modem).
- 4) Verify that dipswitches 6 & 7 (9600 by default) are properly set for the correct baud rate with the other KT-200s.
- 5) Verify that the communications cable connected to the Host and the Controller is properly wired and connected.

Setting up local System with VC-485

- 1) Verify the wiring between the KT-200 and the VC-485.
- 2) Verify the wiring between the VC-485 and the host.
- 3) Verify if both LEDs are illuminated on the VC-485.
- 4) If only the yellow is on, the host is trying to communicate with the controller.
- 5) If only the red is on, the controller is trying to communicate with the PC host. If the communication percentage is greater than 0% and less than 95%, verify that the RS-485 bus wiring is correct. That is, X+ and X- and the ground is properly connected between the KT-200 and the VC-485. If one wire is not properly connected, the KT-200 may communicate in degraded mode.

Step 11. Jumper settings

Jumper default values are set at the factory and should only be modified for special applications. Since new settings become valid only after resetting the power, make sure that all power has been removed from the KT-200 controller before changing jumper settings. All other jumpers on the controller board should be left as set by the factory.

JUMPER #	NAME	LOCATION	DEFAULT SETTING	ALTERNATE SETTING
J2	Network Port-1 communications protocol	Middle right next to comm chips.	Down for RS-485 to other KT-200s	Up for 20mA to other KT-200s
J3	Use only with KT-2252 Elevator Controller	Below J2	DOWN (RS-232)	Up for RS-485 to KT-2252
J4	NOT USED	Below dip switch	DOWN	DO NOT USE
J8	Watchdog	Bottom middle	UP for watchdog	DO NOT USE
J9	Non volatile RAM battery	Bottom middle on top of J8	Up for non volatile memory protection	Down to erase non-volatile memory

Step 12. Connecting the KT-200 to the RS-485 bus

- Connect RS-485 cable to X1+ and X1-
- Yellow RS-485 EOL on last KT-200

Controllers are linked together using their communications PORT-1 RS-485 communication protocol. The communication loop originates at the VC-485 converter (or modem). If a local master controller is being used, the communication loop originates at the Host computer. The Host computer communicates with the local master controller in RS-232 protocol on the controller's RS-232 port. The RS-485 protocol will easily operate at high baud rates (up to 19,200), its immunity to interference is very high and maximum communication loop length with the appropriate cable is 6 kilometers (18,000 feet) for KL-8000 and 1,200 kilometers (4000 feet) for EntraPass and Winpass. The RS-485 communication loop originates from the VC-485 converter and runs sequentially to each KT-200 controller as a single communication line. Connecting several KT-200 at a single point is not acceptable nor are "Y" or "spider web" type networks. The line must continue to each KT-200 and terminate with the yellow 120 Ohms end of line resistor at the last KT-200 on the loop. This method insures that the line is balanced and that both conductors are the same length. The RS485 communication loop should be wired with Ethernet grade 3 double pair network cable (see cable specifications Belden 1227A).

The RS-485 loop can operate at 9,600 or 19,200 baud under normal conditions. Intermittent communication problems or erratic operation may require to slow down the network to 2,400 or 1,200 baud. Varying the network speed does not perceptibly change the operation speed of the system. The network speed must be changed at each KT-200 on the loop by setting DIP switches 6 and 7 as indicated previously. For the change to take effect, the controller must be reset using the SW3 push button switch located on the bottom left side of the controller circuit board. Also, the system baud rate must be set from the operator's PC.

KT-200 Electrical Specifications

VOLTAGE OUTPUTS	TYPICAL	MAX	ABSOLUTE COMBINED MAX
LOCK 1 (+24/27 VDC) LOCK 2 (+24/27 VDC)	125mA 125mA	500mA	1A
READER 1 V++ (+24/27 VDC) READER 2 V++ (+24/27 VDC)	75mA 75mA	500mA	
+24 V AUXILIARY POWER	250mA	500mA	
READER 1 5V (+5 VDC) READER 2 5V (+5 VDC)	50mA 50mA	500mA	500mA
OPEN COLLECTOR OUTPUTS	TYPICAL	MAX	NOTES
OUT 1	20mA	50mA	Outputs are Open-Collector to Ground, current limited by a 47 Ohm series resistor. Current is drawn from above outputs (5V or 24V) and must be included in their respective calculation.
OUT 2	20mA	50mA	
OUT 3	20mA	50mA	
OUT 4	20mA	50mA	

KT-200 Technical Specifications

AC power	24 volts ac., 75 VA, class 2
Battery back-up	2 gel type batteries 12V, 7AH
Cabinet measurements	(15-5/8")H, (13-3/4")W,(3-15/16")D
Conduit Knock-outs	EMT 1/2" and 3/4" knock-outs.
Weight	6kg (13.8 lbs)
Operating temperatures	From 2°C to 40°C (35°F to 110°F)
Humidity	90° non condensing humidity
Processor	Z80- 6Mhz, with "watchdog"
Reader technologies	Proximity, Weigand, magnetic, bar code, keypads and others
Reader maximum distance	150 meters (500 feet) from KT-200
P.I.N. confirmation	At each reader with keypad
Inputs	16 inputs, NO/NC, w/EOL's
Points maximum wiring	600 meters (2,000 feet) - AWG#22
Door strike power supplied by controller	27VDC , 125ma per strike
Auxiliary outputs	27 volts DC, 50ma, open collector
Control relays	2 relays, 30VDC, 24VAC, 2A max.
Tamper switch	Normally closed
Communications ports (2)	RS232, RS485 and 20ma
Communication speeds	From 300 to 19,200 baud
Internal memory and clock	Maintained by lithium battery
Network Autonomy	Distributed data and processing

KT-200 CE Compliance Notice



Toroid installation

All wires connected to the KT-200 controller must be wrapped around a toroid three times, to conform with CE standards.

Note:

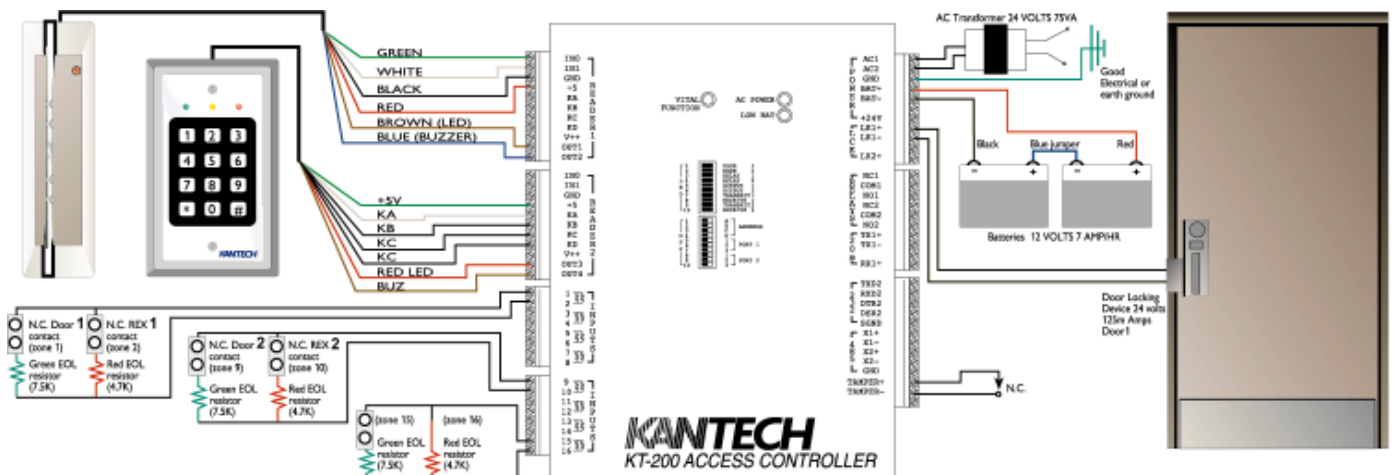
- A) The toroids must be located in the KT-200 controller box.
- B) Several wires may be wrapped around one given toroid.



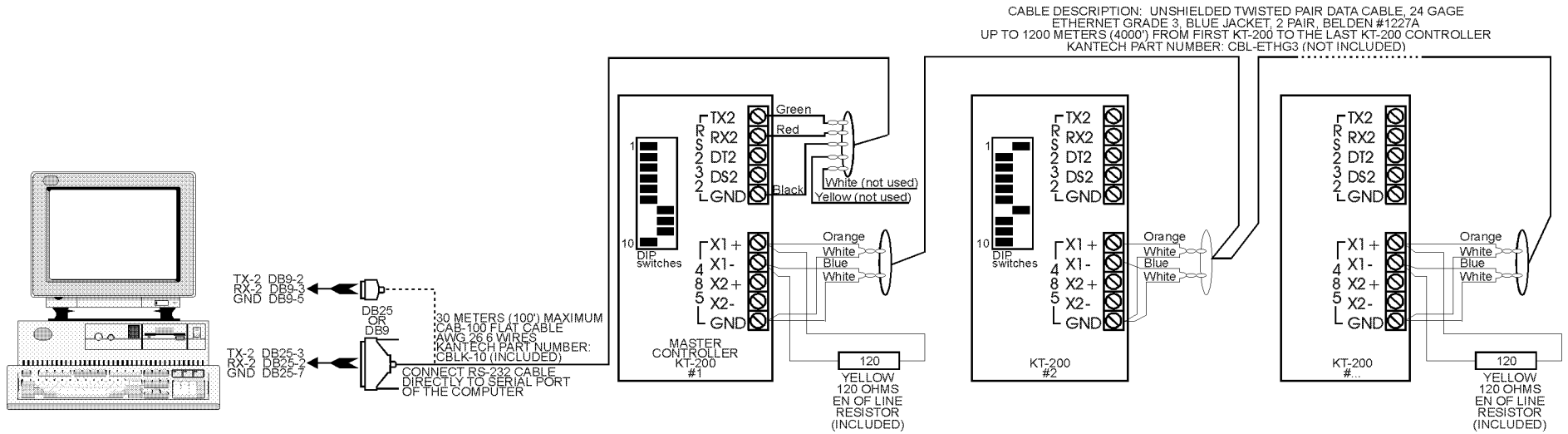
KT-200 FCC Compliance Notice

This equipment does not exceed Class A limits per radio noise emissions for digital apparatus, set out in the Radio Interference Regulation of the Canadian Department of Communications. Operation in a residential area may cause unacceptable interference to radio and TV reception requiring the owner or operator to take whatever steps are necessary to correct the interference. **NOTE :** This equipment has been tested and found to comply with the limits for a Class A digital device, pursuant to Part 1.5 of the FCC Rules and CSA 108.3. These limits are designed to provide reasonable protection against harmful interference when the equipment is operated in a commercial environment. This equipment generates, uses, and can radiate radio frequency energy and, if not installed and used in accordance with the instruction manual, may cause harmful interference to radio communications. Operation of this equipment in a residential area is likely to cause harmful interference in which case the user will be required to correct the interference at his own expense.

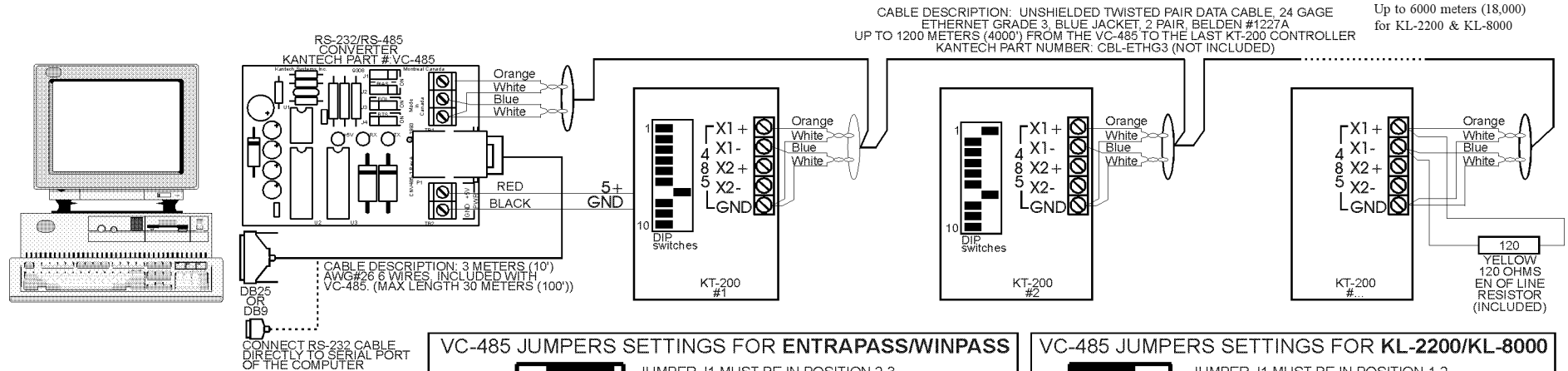
Typical Component connection to KT-200



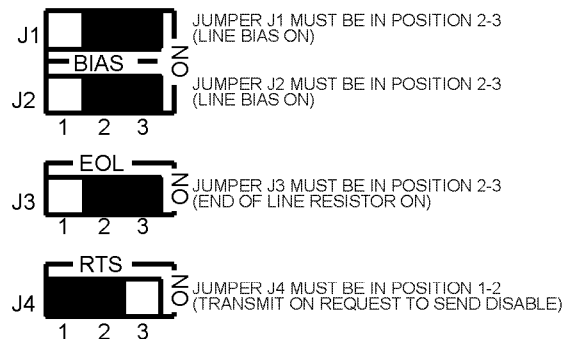
RS-485 Local Loop Connection Diagram (without VC-485 EntraPass V2 & WinPass only)



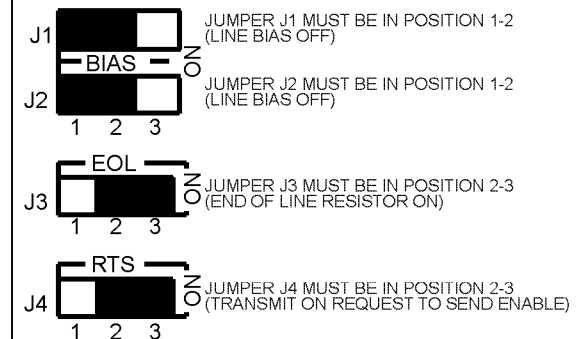
Local RS-485 connection Diagram using VC-485 Line extender



VC-485 JUMPERS SETTINGS FOR ENTRAPASS/WINPASS



VC-485 JUMPERS SETTINGS FOR KL-2200/KL-8000



IN SOME CASES IT MAY BE NECESSARY TO LOCATE THE FIRST KT-200 MORE THAN 30 METERS (100') FROM THE COMPUTER.

THE OPTIONAL VC-485 LINE EXTENDER IS A MODULE THAT CONNECTS TO THE PC AND INITIATES THE RS-485 PROTOCOL FROM THE PC RATHER THAN FROM THE FIRST CONTROLLER, PERMITTING A TOTAL LOOP DISTANCE OF 1200 METERS (4000') FROM THE VC-485 TO THE LAST KT-200.

L'installateur familier avec l'installation peut utiliser le guide rapide avec le symbole "✓"

Étape 1. Préparation de l'installation

- ✓ **Composantes requises pour installer le KT-200:**
 - **Le contrôleur de porte KT-200**
 - **Les résistances de fin de ligne pour les entrées**
 - **La clé du boîtier KT-200**
 - **Le transformateur d'alimentation**
 - **Deux piles de 12 volts 7A/H**
 - **La mise à la terre**
 - **1 EPROM compatible avec votre logiciel**

En déballant le KT-200, vérifiez à ce que tous les composants s'y trouvent et qu'elles ne sont pas endommagées. Si des composants manquent ou sont abîmées, veuillez en informer votre fournisseur immédiatement. Installez la puce EPROM dans la prise prévue à cet effet située directement au-dessus de la pile au lithium. Tout comme les autres puces installées sur le circuit imprimé, l'encoche de la mémoire EPROM doit être dirigée vers le haut du circuit.

Étape 2. Installation physique

- ✓ **Repérez l'endroit idéal**
- ✓ **Éloignez l'installation de tout appareil électrique ou de communications**

Le boîtier du KT-200 a été conçu pour être installé directement sur un mur. De fait, sa taille permet d'installer les piles d'urgence et les câbles nécessaires pour la plupart des applications. Le boîtier possède des ouvertures amorcées de conduit sur tous les côtés, en 1/2" et en 3/4". Installer le boîtier à l'intérieur, dans un endroit sûr, où la température et l'humidité sont normales, de sorte à laisser 23 cm (8 pouces) d'espace libre tout autour et au moins 33 cm (13 pouces) d'espace devant le boîtier. Prévoyez d'installer le boîtier à un endroit facilement accessible pour sa maintenance.

Il est d'ailleurs recommandé d'installer les contrôleurs près des portes contrôlées, à une distance d'au moins 2 mètres (6 pieds) de tout dispositif électrique susceptible de causer des interférences, à au moins 1 mètre (3 pieds) de tout appareil ou ligne téléphonique et à au moins 8 mètres (25 pieds) de tout équipement de transmission. Enfin, prévoyez un accès facile afin de faciliter la maintenance du KT-200 en cas de panne.

Étape 3. Alimentation requise

- ✓ **NE BRANCHEZ PAS L'ALIMENTATION À CETTE ÉTAPE CI**
- ✓ **Installez le transformateur 24V CA/75V A**
- ✓ **Placez les batteries dans le boîtier**
- ✓ **NE BRANCHEZ PAS L'ALIMENTATION À CETTE ÉTAPE CI**

Le contrôleur KT-200 doit être branché sur un transformateur 24V CA/75V A. Le transformateur doit être installé par un électricien professionnel, et localisé à moins de 8m (25 pieds) du contrôleur.

Ne branchez pas avant que toutes les connexions soient effectuées et testées.

Lorsque le système fonctionne sur courant alternatif, le voyant DEL vert s'allume. Si le courant alternatif est coupé une fois le système en marche, la pile d'urgence peut assurer un fonctionnement normal jusqu'à 20 heures durant si elle est équipée de deux piles rechargeable de 12 volts et 7Amp/HR. Lorsque l'énergie fournie par la pile d'urgence tombe sous les 22 volts, un dispositif interne coupera le courant fourni. Le voyant DC rouge reste alors allumé jusqu'à ce que le courant tombe sous les 18 volts.

NOTE: le KT-200 ne peut démarrer avec les batteries. Au départ, il est nécessaire de brancher le courant alternatif CA.

Étape 4. Mise à la terre

- ✓ **Utilisez un câble AWG#18 pour la mise à la terre**

Le KT-200 requiert une communication à haut rendement. Une bonne mise à la terre est indispensable pour un fonctionnement adéquat. **Pour ce faire, utiliser un câble unifilaire de cuivre AWG#18 et brancher chaque contrôleur à une mise à la terre conformément au code électrique local. Si d'autres mise à la terre sont branchées à cet endroit, le collier du KT-200 doit être fixé de façon à précéder les autres mise à la terre.** Il est également recommandé de brancher les contrôleurs l'un à l'autre à l'aide d'un autre câble unifilaire de cuivre AWG#18.

Étape 5. Protection Anti-vandal

- ✓ **Installez le dispositif anti-vandal dans le boîtier (en option)**

Un interrupteur de sécurité peut être installé sur le boîtier pour détecter toute tentative d'ouverture de celui-ci. Normalement en position fermée, l'interrupteur doit être branché sur les bornes TAMPER, les dernières situées du côté droit des connecteurs. Si vous n'installez pas le dispositif contre les intrusions, placez un cavalier sur les bornes.

Étape 6. Connexion des entrées

- ✓ **Vérifiez que les circuits en boucle sont bien fermés**
- ✓ **Branchez les dispositifs sur les bornes 1 à 6**
- ✓ **Chaque boucle ne doit avoir qu'un seul contact ouvert**
- ✓ **Les entrées impaires (1,3,5,7,...) avec les résistances vertes**
- ✓ **Les entrées paires (2,4,6,8,...) avec les résistances rouges**

Le KT-200 est conçu pour pouvoir contrôler 16 points d'entrée. Pour diminuer le câblage, ces 16 points ont été regroupés en deux séries de 8 bornes, identifiées par les numéros 1 à 16. (Le KT-200 pourra contrôler les deux entrées d'une paire de câbles unifilaires en branchant en série, sur les contacts du dispositif commandé, une résistance de 7,5 KOhms (VERTE) pour les entrées impaires et une résistance de 4,7 KOhms (ROUGE) pour les entrées paires.) Pour une meilleure sécurité de la ligne, les résistances doivent être installées sur le dispositif surveillé (contact, détecteur,...). Les résistances fournies avec le KT-200 sont identifiées par couleurs: verte pour les entrées impaires (7,5K), rouge pour les entrées paires (4,7K). Avec un câble AWG#22, une ligne peut mesurer jusqu'à 600 mètres (2000 pieds).

Les entrées peuvent servir à surveiller des dispositifs ouverts tels que les thermostats. Toutefois, il n'est pas conseillé de contrôler deux contacts ouverts sur une seule série de terminaux, car cela diminuerait l'intégrité de la ligne.

Le cas échéant, il est possible d'améliorer l'intégrité de la ligne et de la contrôler 24 heures sur 24 en utilisant des résistances paires (rouges, de 4,7K) pour les contacts normalement ouverts et des résistances impaires (vertes, de 7,5K) de fin de ligne. Toutefois, avec cette configuration, chaque KT-200 ne pourra contrôler qu'un seul point par terminal, c'est-à-dire un total de 8.

Les bornes 1 et 2 sont recommandées pour la première porte surveillée: le contact branché sur la borne 1 et détecteur de sortie sur la borne 2. Les bornes 9 et 10 sont idéales pour la deuxième porte: le contact branché sur la borne 9 et détecteur de sortie sur la borne 10. Si cette pratique ne constitue pas une norme obligatoire, elle facilite grandement la maintenance.

Si des bornes restent libres, il est bon d'y brancher des résistances de fin

de ligne, ou alors de les définir comme contacts ouverts, pour éviter qu'un signal de panne ne soit généré.

Étape 7. Relais et sorties auxiliaires

- ✓ **Branchez les relais aux dispositifs de basse tension**
- ✓ **Ajoutez des relais aux dispositifs de haute tension**
- ✓ **Branchez des sorties auxiliaires aux dispositifs de lecture ou d'alarme**

Le KT-200 fournit deux relais dont l'ouverture et la fermeture peuvent être programmées ou dépendre de conditions d'entrée. Les relais sont des contacts à pôle simple, normalement ouverts ou fermés, dont la valeur nominale est de 30VCC/24VCA, 2 ampères maximum.

Les dispositifs susceptibles de produire des parasites ou arcs électriques (tels que les bobines électromagnétiques) ne doivent pas être branchés directement à ces relais de sortie au risque d'induire les parasites ou arcs dans le circuit du KT-200. Il est préférable, pour éviter que le KT-200 ne soit endommagé, d'installer des commutateurs relais externes.

Pour visualiser l'état des accès, branchez les sorties OUT 1 et OUT 3 (aux lecteurs) aux voyants lumineux DEL. Branchez les sorties OUT 2 et OUT 4 à des dispositifs locaux d'alarme contrôlant les portes.

Étape 8. Dispositifs de fermeture des portes

- ✓ **Branchez les dispositifs de fermeture sur L1+ et L1- (L2+ et L2-)**
- ✓ **Ne dépassez pas 250mA à 24CC par sortie**
- ✓ **Consultez les réglementations en vigueur en matière de systèmes automatiques de fermeture de portes**

Les bornes L1 (porte no.1) et L2 (porte no.2) sont situées en haut à droite du KT-200. Ces sorties peuvent être programmées par des paramètres propres aux utilisateurs finaux ou permettre l'ouverture des portes à certaines heures. Le dispositif de verrouillage de portes peut commander des fermetures fonctionnant sous tension CC tels que les serrures électromécaniques, et travailler soit à l'épreuve de pannes, soit par fermeture en cas de panne de courant (action normale ou inversée). La tension maximum du courant CC normalement admise est de 250mA.

AVERTISSEMENT: il est probable que les dispositifs de verrouillage de portes fassent l'objet de réglementations. Dans la plupart des cas, des règles strictes régissent l'installation de ventouses électro-magnétiques et autres dispositifs similaires sur des portes de sortie.

9. Lecteurs et claviers

AVERTISSEMENT BRANCHEMENT D'UN LECTEUR

Le branchement par un fil conducteur rouge d'un lecteur de 5VCC à la borne 24VCC peut endommager le lecteur. Consultez la procédure d'installation du lecteur pour connaître la meilleure façon de le brancher correctement.

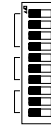
Le KT-200 peut également commander 2 lecteurs et/ou 2 claviers. Ces dispositifs de contrôle d'accès peuvent être installés à une porte pour en contrôler l'ouverture et la fermeture, ou sur deux portes séparées, indépendantes, et ne contrôler alors que l'accès dans un sens. Un clavier peut contrôler à lui seul l'accès à une porte ou être couplé à un lecteur de cartes magnétique pour la confirmation du numéro d'identification personnelle.

Si l'on utilise le câble adéquat, les lecteurs et claviers peuvent être installés jusqu'à 150 mètres (500 pieds) du KT-200. Grâce aux sorties auxiliaires, le contrôle d'une porte peut être visuel ou audible: les sorties OUT 1 et OUT 2 pour la première porte, les sorties OUT 3 et OUT 4 pour la seconde.

Par contre, le courant 5VCC peut être utilisé pour des dispositifs audibles à basse tension généralement situés aux portes commandées.

10. Configuration des interrupteurs DIP: OFF et ON

OFF ON



- ✓ **Les interrupteurs 1 à 5 définissent l'adresse du contrôleur**
- ✓ **Les interrupteurs 6 et 7 définissent la vitesse du port de communication PORT-1 vers d'autres KT-200 ou un poste de travail**
- ✓ **L'interrupteur 8 & 9 avec 1^{er} KT-200 (EntraPass & Winpass)**
- ✓ **Les interrupteurs 9 et 10 définissent la vitesse du port de communication PORT-2 vers un système KT-2252 de contrôleur d'ascenseur**

Pour EntraPass					
Pour WinPass, KL-2200 & KL-8000					
Controller Address	DIP 1	DIP 2	DIP 3	DIP 4	DIP 5
1	OFF	OFF	OFF	OFF	OFF
2	ON	OFF	OFF	OFF	OFF
3	OFF	ON	OFF	OFF	OFF
4	ON	ON	OFF	OFF	OFF
5	OFF	OFF	ON	OFF	OFF
6	ON	OFF	ON	OFF	OFF
7	OFF	ON	ON	OFF	OFF
8	ON	ON	ON	OFF	OFF
9	OFF	OFF	OFF	ON	OFF
10	ON	OFF	OFF	ON	OFF
11	OFF	ON	OFF	ON	OFF
12	ON	ON	OFF	ON	OFF
13	OFF	OFF	ON	ON	OFF
14	ON	OFF	ON	ON	OFF
15	OFF	ON	ON	ON	OFF
16	ON	ON	ON	ON	OFF
17	OFF	OFF	OFF	OFF	ON
18	ON	OFF	OFF	OFF	ON
19	OFF	ON	OFF	OFF	ON
20	ON	ON	OFF	OFF	ON
21	OFF	OFF	ON	OFF	ON
22	ON	OFF	ON	OFF	ON
23	OFF	ON	ON	OFF	ON
24	ON	ON	ON	OFF	ON
25	OFF	OFF	OFF	ON	ON
26	ON	OFF	OFF	ON	ON
27	OFF	ON	OFF	ON	ON
28	ON	ON	OFF	ON	ON
29	OFF	OFF	ON	ON	ON
30	ON	OFF	ON	ON	ON
31	OFF	ON	ON	ON	ON
32	ON	ON	ON	ON	ON

Les 10 interrupteurs DIP se trouvent au milieu de la carte des circuits imprimés du KT-200. Les cinq premiers (DIP 1 à 5) permettent de configurer l'adresse du KT-200; les interrupteurs 6 et 7 définissent la vitesse en baud du port de communication PORT-1. La vitesse par défaut est de 9600 bauds (DIP 6 OFF et DIP 7 ON). Consultez le tableau ci-dessous pour régler les interrupteurs DIP de votre KT-200. **NOTE: Le**

contrôleur d'ascenseur KT-2252 ne peut être utilisé sur les contrôleurs maîtres d'entrpass. Précisons que la configuration des interrupteurs DIP n'est effective qu'une fois le contrôleur est remis sous tension ou après avoir pressé le commutateur SW3 situé dans le coin inférieur gauche de la carte du circuits imprimés.

EntraPass, WinPass, KL-2200 & KL-8000		
RS-485 Vitesse comm.	DIP 6	DIP 7
1200 bauds	OFF	OFF
2400 bauds	ON	OFF
9600 bauds	OFF	ON
19200 bauds	ON	ON

EntraPass V2 et WinPass seulement (Contrôleur 1 seulement)		
	DIP 8	DIP 9
Local sans VC-485	ON	ON
Local avec VC-485	OFF	OFF
Contrôleur #1 éloigné (EntraPass v2)	ON	OFF

Vitesse pour contrôleur d'ascenseur EntraPass, KL-2200 & KL-8000		
Speed	DIP 9	DIP 10
1200 bauds	OFF	OFF
2400 bauds	ON	OFF
9600 bauds	OFF	ON
19200 bauds	ON	ON

Configurer tous les interrupteurs non utilisés à **OFF**

Configuration du système local sans VC-485 (EntraPass V2 & WinPass seulement)

- Mettre J3 vers le bas (mode RS-232) sur le KT-200.
- Mettre les interrupteurs DIP 8 et 9 à ON sur le KT-200 (cette procédure initialise le KT-200 comme contrôleur maître sans modem).
- Mettre l'interrupteur DIP 1 à ON. Appuyez sur RESET. Mettre interrupteur DIP 1 à OFF. Appuyez RESET à nouveau (cette procédure initialise le KT-200 comme contrôleur maître avec modem).
- Vérifiez si les interrupteurs 6 & 7 (9,600 bauds par défaut) sont correctement configurés pour obtenir la bonne vitesse de communication vers d'autre KT-200.
- Vérifiez à ce que le câble de communication branché entre le poste de travail et le contrôleur soit bien branché.

Configuration du système local avec un VC-485

- Vérifiez le branchement entre le KT-200 et le VC-485.
- Vérifiez le branchement entre le VC-485 et le poste de travail.
- Vérifiez si les deux DELs sont allumés sur le VC-485.
- Si seulement le DEL jaune est allumé, le poste de travail essaie de communiquer avec le contrôleur.
- Si seulement le DEL rouge est allumé, le contrôleur essaie de communiquer avec le poste de travail. Si le pourcentage de communication est plus grand que 0% et plus petit que 95%, vérifiez le branchement du RS-485. Vérifiez, si X+ et X- et la masse "ground" sont correctement branchés entre le KT-200 et le VC-485. Si un fil est mal branché, le KT-200 ne communiquera pas correctement.

11. Configuration des cavaliers

La configuration des cavaliers est définie en usine et ne doit être changée que pour des application spéciales. La nouvelle configuration n'est effective qu'une fois le KT-200 remis sous tension. Il est donc essentiel de s'assurer à ce que le KT-200 soit totalement débranché avant de modifier les valeurs des cavaliers. Toutes les autres cavaliers du circuits imprimés doivent garder leur configuration originale.

Configuration des Cavaliers				
Cavalier #	NOM	LOCALISÉ	CONFIGURATION PAR DÉFAUT	CONFIGURATION ALTERNATIVE
J2	Réseau Port-1 Protocole de communication	Au milieu vers la droite à coté de la puce de comm.	EN BAS pour RS-485 vers d'autre KT-200	EN HAUT pour 20mA vers d'autre KT-200
J3	Utilisé seulement avec contrôleur d'ascenseur KT-2252	En bas de J2	EN BAS (RS-232)	En haut pour RS-485 vers d'autre KT-2252
J4	NON UTILISÉ	En bas des interrupteurs DIP	EN BAS	NON UTILISÉ
J8	Watchdog	Au milieu vers le bas	EN HAUT pour Watchdog	NON UTILISÉ
J9	RAM Non volatile pile	Au milieu, vers le bas sous J8	EN HAUT pour protection de la mémoire non volatile	EN BAS pour effacer la mémoire non-volatile

12. Branchement du KT-200 au bus RS-485

- Branchez le câble RS-485 aux bornes X1+ et X1-
- Branchez la résistance de fin de ligne jaune au dernier KT-200.

Les contrôleurs communiquent entre eux par le protocole de communication RS-485 de la porte PORT-1. La boucle de communication est ouverte par le convertisseur VC-485 (ou modem). Le protocole RS-485 supporte aisément les hauts débits (jusqu'à 19200 baud). Son immunité aux interférences est élevée et, si le câble est approprié, sa boucle maximum de communication peut atteindre 6 kilomètres (18 mille pieds) pour KL-8000 et 1,2 kilomètres (4 mille pieds) dans le cas de l'EntraPass et WinPass. La communication en protocole RS-485 commence donc au convertisseur RS-485; la liaison avec chaque KT-200 est séquentielle, comme s'il s'agissait d'une seule ligne de communication. Il n'est pas possible de brancher plusieurs KT-200 sur un même point ni de les arranger en Y ou en réseau type "toile d'araignée". La ligne doit passer par chaque KT-200 l'un après l'autre et s'arrêter à une résistance jaune de fin de ligne à 120 Ohms, fixée sur le dernier KT-200 de la boucle. Grâce à cette méthode, la ligne reste équilibrée et les deux conducteurs ont la même longueur. Pour une communication RS-485 optimale, il est bon d'utiliser des doubles câbles appariés pour réseaux, de type Ethernet grade 3.

Normalement, la boucle RS-485 peut fonctionner à un débit allant de 9600 à 19200 bauds. Toutefois, il est probable que des problèmes d'intermittence ou d'erreurs d'opération requière un ralentissement du réseau, ce qui, toutefois, ne changera pas la vitesse d'opération à 2400 ou 1200 bauds du système de façon perceptible. Pour réduire le débit du réseau, les commutateurs DIP 6 et 7 de chaque KT-200 doivent être changés selon les indications déjà mentionnées. Pour que le changement soit effectif, chaque KT-200 doit être réenclenché en pressant le commutateur SW3 situé dans le coin gauche de la carte de circuits imprimés. Le nouveau débit doit aussi être défini sur le micro-ordinateur de l'opérateur.

Spécifications techniques

Alimentation primaire	24 volts CA., 75 VA, classe2
Alimentation d'urgence	2 piles rechargeables 12V, 7AH
Dimensions du boîtier	39.4H x34.5W x 9.8D cm (15-5/8")H, (13-3/4")W,(3-15/16")D
Prévision conduits EMT	1.25 cm (1/2") et 1.9cm (3/4") EMT
Poids	6kg (13.8 lbs)
Température d'opération	De 2°C à 40°C (35°F à 110°F)
Humidité	90° d'humidité sans condensation
Processeur	Z80- 6Mhz, circuit "watchdog"
Technologies de lecture	Proximité, Weigand, magnétique, code à barre, claviers et autres
Distance max. des lecteurs	150 mètres (500 pieds) du KT-200
Confirmation par N.I.P.	À chaque lecteur équipé d'un clavier
Points surveillés	16 points surveillés, NO/NF, supervisé par résistances de fin de ligne
Distance maximum des points	600 mètres (2,000 pieds)- AWG#22
Alimentation des gâches	27VCC , 125mA par gâche
Sorties auxiliaires	27 volts CC, 50mA collecteur ouvert
Relais de contrôle	2 relais, 30VCC, 24VCA, 2A max.
Contact anti-Vandal	Normalement fermé
Port de communication	RS232, RS485 et 20mA
Vitesse de communication	De 300 à 19,200 bauds
Mémoire interne	Maintenue par pile au lithium
Autonomie du réseau	Intelligence et données distribuées

Spécifications électrique du KT-200

VOLTAGE DES SORTIES	TYPIQUE	MAX	ABSOLU COMBINÉ MAX
GÂCHE 1 (+24/27 VDC)	125mA	500mA	1A
GÂCHE 2 (+24/27 VDC)	125mA		
LECTEUR 1 V++ (+24/27 VDC)	75mA		
LECTEUR 2 V++ (+24/27 VDC)	75mA	500mA	500mA
+24 V ALIMENTATION AUX.	250mA		
LECTEUR 1 5V (+5 VDC)	50mA	500mA	500mA
LECTEUR 2 5V (+5 VDC)	50mA		
SORTIES COLLECTEURS OUVERTS	TYPIQUE	MAX	NOTES
OUT 1	20mA	50mA	Les sorties sont collecteurs ouvert à la masse, courant limité par une résistance série de 47 Ohms. Ajoutez la consommation des sorties (5V ou 24V) dans les calculs respectifs.
OUT 2	20mA	50mA	
OUT 3	20mA	50mA	
OUT 4	20mA	50mA	

KT-200 FCC Compliance Notice

This equipment does not exceed Class A limits per radio noise emissions for digital apparatus, set out in the Radio Interference Regulation of the Canadian Department of Communications. Operation in a residential area may cause unacceptable interference to radio and TV reception requiring the owner or operator to take whatever steps are necessary to correct the interference. **NOTE :** This equipment has been tested and found to comply with the limits for a Class A digital device, pursuant to Part 1.5 of the FCC Rules and CSA 108.3. These limits are designed to provide reasonable protection against harmful interference when the equipment is operated in a commercial environment. This equipment generates, uses, and can radiate radio frequency energy and, if not installed and used in accordance with the instruction manual, may cause harmful interference to radio communications. Operation of this equipment in a residential area is likely to cause harmful interference in which case the user will be required to correct the interference at his own expense.

Certification CE.



Installation d'une Toroïde

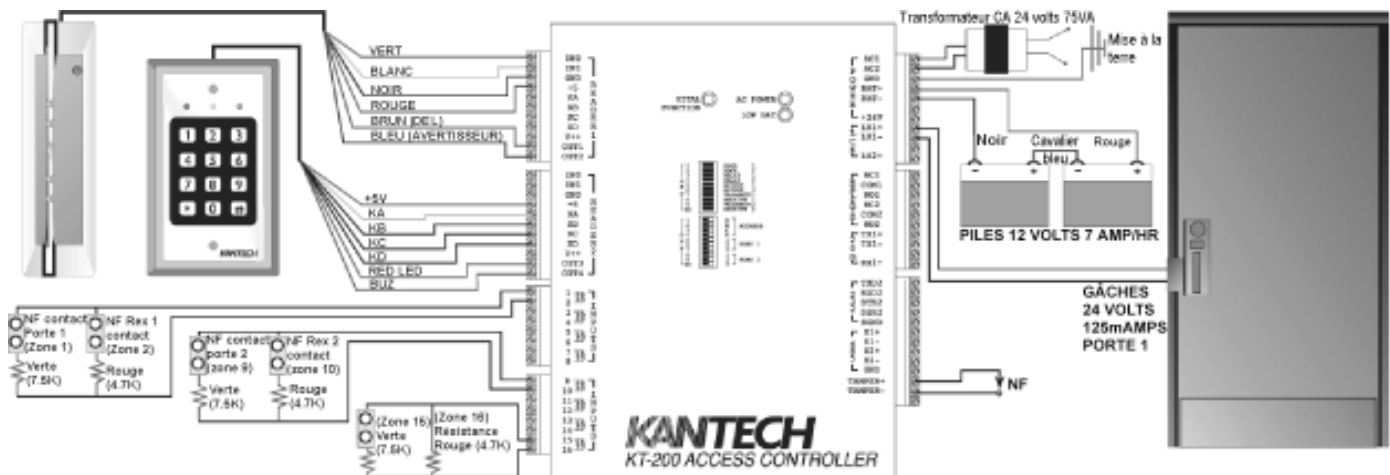
Tous les fils qui se branchent au contrôleur KT-200 doivent être enroulés trois fois dans une toroïde pour que l'installation soit conforme à la norme CE.

Note:

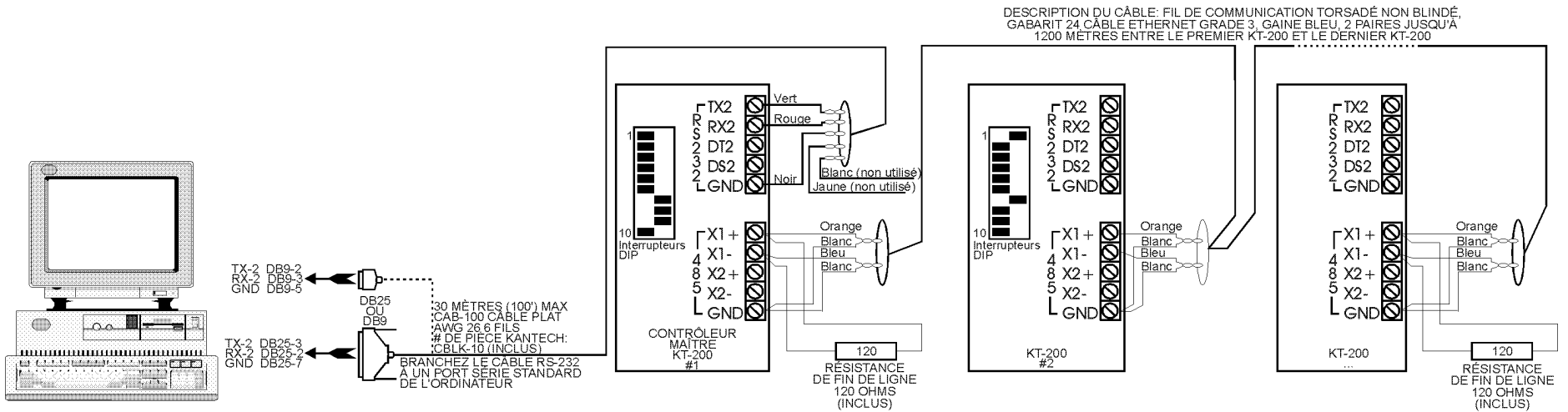
- Les toroïdes doivent être localisées dans le boîtier du contrôleur KT-200.
- Il peut y avoir plusieurs fils qui passent dans la même toroïde.



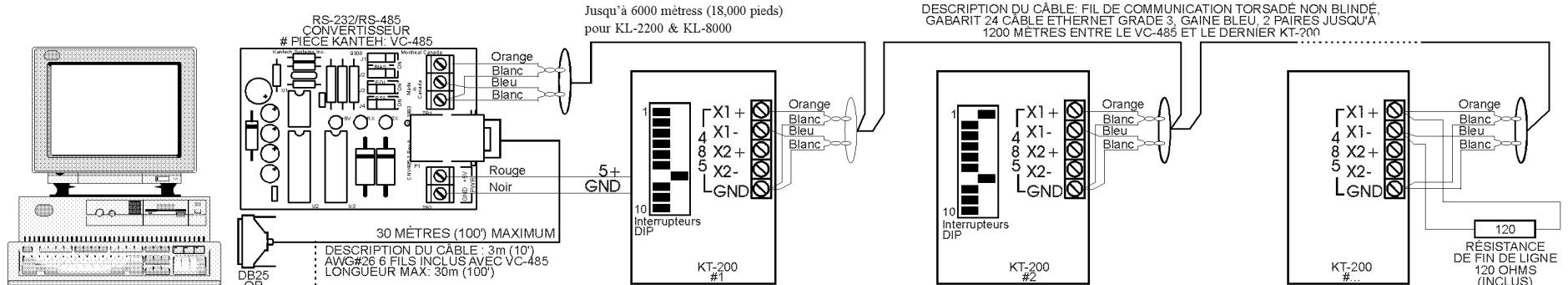
Connexion Typique de composantes branchées au KT-200



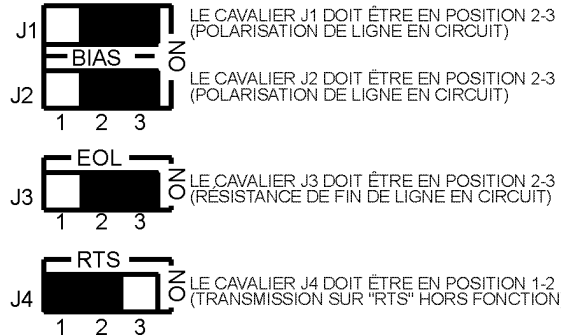
RS-485 Boucle locale Diagramme de branchement (sans VC-485 EntraPass V2 seulement)



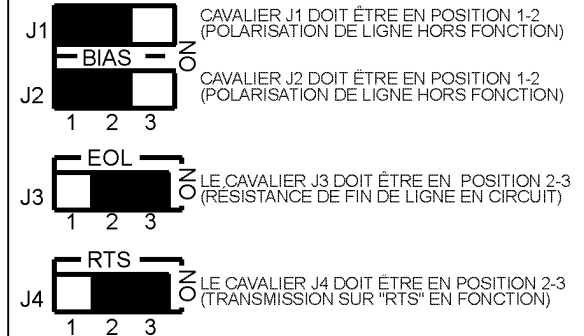
RS-485 Boucle locale Diagramme de branchement avec VC-485



CONFIGURATION DES CAVALIERS POUR ENTRAPASS/WINPASS



CONFIGURATION DES CAVALIERS POUR KL-2200/KL-8000



El técnico ya familiar con la instalación puede usar la guía expresa indicada por el símbolo “”

Paso 1: preparación de la instalación del KT-200

- Para instalar el KT-200:**
 - Ud. necesita el controlador KT-200
 - las resistencias EOL para los Inputs
 - las llaves para abrir el gabinete KT-200
 - el transformador AC
 - dos baterías de 12 voltios 7 A/H
 - la abrazadera para tierra
 - 1 EPROM compatible con programa

Al desempacar su KT-200, asegúrese que todo esté completo. Cualquier elemento faltante o dañado debe ser reportado de inmediato. En el soquete de chip KT-200, ubicado directamente arriba de la batería de litio, instale el EPROM. Al igual que cualquier otro chip de la tarjeta, la ranura de alineación del EPROM debe apuntar hacia la parte superior de la tarjeta.

Paso 2: instalación física.

- Busque la ubicación interior ideal**
- mantenga el KT-200 alejado de todo dispositivo eléctrico o de comunicaciones.**

El gabinete del controlador KT-200 ha sido diseñado para ser montado en una pared, con un mínimo esfuerzo. El gabinete es lo suficientemente grande como para albergar el sistema de batería y el cableado necesario para la mayoría de las aplicaciones. Por todos los lados del gabinete existen destapadores de conducto EMT en 1/2" y en 3/4". Este gabinete debe montarse preferentemente dentro de un local, en una ubicación segura que ofrezca condiciones normales de temperatura y humedad y dejando 23 cm (8 pulgadas) de espacio libre en su alrededor y 33 cm (13 pulgadas) de espacio libre por delante. Esta ubicación debe ser fácilmente accesible para el mantenimiento y se recomienda la instalación de los controladores cerca de las puertas.

Los controladores deben ser localizados a una distancia mínima de 2 metros (6 pies) de cualquier equipo de alto voltaje ó de cableado, a 2 metros (6 pies) de equipos eléctricos susceptibles de generar interferencia eléctrica, a una distancia mínima de 1 metro (3 pies) de equipos telefónicos ó lineasm y a un mínimo de 8 metros (25 pies) de cualquier equipo de transmisión. Finalmente, acceso físico por llaves a los controladores debe ser previsto en caso de alguna falla en la cual se requiera inspección ó mantenimiento de estos.

Paso 3: Requerimientos de corriente.

- NO LOENCHUFE TODAVIA!**
- Instale el transformador 24VAC/75VA**
- Ubique las baterías dentro del gabinete**
- NO LOENCHUFE TODAVIA!**

El KT200 debe ser alimentado por un transformador de 24VAC/75VA. El transformador es generalmente instalado por un electricista profesional un máximo de 8 metros (25 pies).

Se puede enchufar la unidad sólo si todas las conexiones están completadas y probadas.

Cuando hay corriente AC se prende el indicador LED verde. Si se corta la corriente AC mientras la unidad esté trabajando, el sistema de baterías funcionará normalmente por hasta 20 horas con dos (2) baterías de tipo gel de 7 Amp. por hora. Cuando el voltaje de la batería baje a menos de 22 voltios, un sistema de verificación interno cortará la alimentación por batería y el indicador LED rojo permanecerá prendido hasta que la potencia de la batería haya caído por debajo de 18 voltios.

NOTA: la unidad KT-200 no puede arrancar sólo con las baterías sino que la corriente AC siempre debe ser conectada desde el inicio.

Paso 4: puesta a la tierra.

- conecte el cable de tierra AWG#18.**

Como el KT-200 utiliza una comunicación de alta velocidad, es precisa una conexión a la tierra para garantizar un buen funcionamiento. **Se necesita un cable de tierra AWG#18 simple de cobre para conectar cada controlador a la tierra en una canalización de agua fría. La abrazadera para tierra debe colocarse por debajo de cualquier otra conexión a la tierra que se encuentre en la tubería escogida.** Es también recomendado conectar ambos controladores entre sí con un cable AWG#18 simple de cobre.

Paso 5: protección anti-vandalismo.

- Instalación del conmutador de protección opcional al cajetín.**

Es posible instalar un conmutador de protección en la unidad para señalar cualquier intento no autorizado de abrir el gabinete. Este conmutador, normalmente cerrado, se conecta a los terminales TAMPER ubicados en el último conector (TB7). Esta entrada no debe conectarse con ningún otro dispositivo fuera del gabinete KT-200. Si no va a usar esta opción, un puente entre los terminales cerrará la entrada.

Paso 6: Acoplamiento de los terminales.

- Ubique Input EOL**
- conecte los dispositivos a los terminales 1 a 16**
- ponga un solo contacto abierto por circuito!**
- Las resistencias verdes son para los Inputs impares (1,3,5,7...)**
- Las resistencias rojas son para los Inputs pares (2,4,6,8...).**

El KT-200 tiene la capacidad de controlar 16 Inputs. Para reducir el cableado, los 16 Inputs están agrupados en 8 pares de terminales y se identifican desde 1 hasta 16 (Si Ud. instala en serie, con lo contactos del dispositivo controlado, una resistencia (verde) de 7.5 K Ohms a los terminales impares y una (roja) de 4.7 K Ohms, el KT-200 podrá controlar ambos extremos por un solo par de cables). Para dar mayor seguridad de línea, las resistencias deben instalarse en el dispositivo controlado (contacto, detector, ...). Las resistencias que trae el KT-200 se distribuyen de manera que las verdes son para los terminales impares (7.5K) y las rojas para los terminales pares (4.7K). La distancia máxima para una línea es de unos 600 metros (2.000 pies) con el cable AWG#22.

Se pueden usar las entradas para controlar dispositivos abiertos tales como termostatos, pero no se recomienda el control de dos contactos abiertos en un solo set de terminales de entrada ya que ese tipo de conexión reduce la integridad de la línea.

Si lo necesita, puede mejorar la integridad de la línea y tener una supervisión de línea durante las 24 horas usando resistencias pares (rojas 4.7K) con contactos normalmente abiertos y resistencias impares (verdes 7.5K) como finales de línea. Sin embargo, para dispositivos así configurados, sólo se podrá controlar un punto por terminal, por un total de 8 entradas por cada KT-200.

Los Inputs 1 y 2 son ideales para la primera puerta controlada, con el contacto en la entrada 1 y la solicitud asociada del detector de salida en el Input 2. Los Inputs 9 y 10 son ideales para la segunda puerta controlada, con el contacto en el Input 9 y la solicitud asociada del detector de salida en el Input 10. Esta norma no es obligatoria pero hace más fácil el

mantenimiento.

Los Inputs que queden libres en el KT-200 deben preferentemente terminarse por resistencias EOL o ser definidas como Inputs abiertos para evitar una señal inútil de condiciones anormales.

Paso 7: relés y salidas auxiliares.

- Conecte los relés a dispositivos de bajo voltaje
- agregue relés externos para dispositivos de alto voltaje
- Conecte las salidas auxiliares a lectores y otros dispositivos de supervisión

El KT-200 trae 2 relés de control que pueden ser activados o desactivados de manera programada o según condiciones de entrada. Estos relés son contactos de un solo polo, normalmente abiertos o cerrados, valuados a 30VDC/24VAC, 2 amp. máximo.

Los dispositivos que generan altos niveles de ruido eléctrico o de arco (como las bobinas electromagnéticas) no deben conectarse directamente a **estos relés de salida** ya que el ruido o el arco podrían ser inducidos en el circuito del KT-200. Para evitar que se dañe el KT-200, instale relés externos.

Conecte las salidas OUT 1 y OUT 3 (de los terminales indicadores) a los indicadores LED para poder tener una información visual del acceso. Conecte las salidas OUT 2 y OUT 4 a dispositivos locales de alarma para ser avisado en caso de alarma en las puertas.

Paso 8: dispositivos de cierre de las puertas.

- Conecte las cerraduras de las puertas a L1+ y L1- (L2+ y L2-)
- un máximo de 250ma a 24DC por salida
- averigüe las reglamentaciones locales relativas a las puertas con cierre magnético.

En el dispositivo de cierre, las salidas L1 (para la puerta 1) y L2 (para la puerta 2) están ubicadas en la parte inferior del enchufe, en la parte superior derecha del KT-200. Estas salidas son controladas según los parámetros de programación del usuario final para otorgar el acceso o para abrir puertas en horas determinadas. Estas salidas pueden operar dispositivos de cierre que usan corriente DC, como los cierres electromecánicos, y pueden configurarse para operar en modos a prueba de falla o a prueba de corte (acción normal o reversa). El máximo generalmente permitido es una corriente DC de 250mA.

ADVERTENCIA los cierres automáticos de puertas pueden ser objeto de regulaciones y por lo tanto deben ser instalados conforme con las reglamentaciones vigentes. En la mayoría de los casos existen limitaciones estrictas a la instalación de cierres magnéticos u otros dispositivos similares en puertas utilizadas para la salida.

Paso 9: lectores y teclados.

ADVERTENCIA PARA LA CONEXIÓN DE UN LECTOR

La conexión del cable rojo de plomo (o corriente de plomo) de un lector 5VDC al terminal 24VDC puede dañar el lector. Véase el procedimiento de instalación de un lector para una correcta conexión eléctrica.

El KT-200 puede controlar 2 lectores y/o 2 teclados. Estos dispositivos pueden ser instalados en una puerta para controlar la entrada y la salida o en dos puertas separadas, independientes, para controlar el acceso en una sola dirección. El teclado puede operar una puerta por si solo o bien combinarse con un lector de tarjeta para una confirmación numérica (Número de Identificación Personal ó PIN).

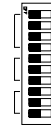
Instalados con el cable adecuado, los lectores y teclados pueden ser ubicados a una distancia de hasta 150 metros (500 pies) del KT-200. Salidas

auxiliares permiten un control visual o auditivo del acceso a la puerta. Las salidas OUT 1 y OUT 2 se usan para la primera puerta y las salidas OUT 3 y OUT 4 para la segunda puerta.

La corriente 5VDC o V++ (24VDC) también pueden ser usadas para dispositivos de baja audibilidad que suelen ubicarse en la puerta automática.

Paso 10: configuración de los interruptores DIP:

OFF ON



- Los DIP 1 hasta 5 definen la dirección del controlador
- los DIP 6 y 7 definen la velocidad del puerto de comunicación PORT-1 con otros KT-200 ó con una estación de trabajo
- los DIP 8 y 9 con KT-200 #1 (EntraPass y WinPass)
- los DIP 9 y 10 definen la velocidad del puerto de comunicación PORT-2 con el controlador de elevadores KT-2252.

Para EntraPass					
Para WinPass, KL-2200 & KL-8000					
Dirección controladores	DIP 1	DIP 2	DIP 3	DIP 4	DIP 5
1	OFF	OFF	OFF	OFF	OFF
2	ON	OFF	OFF	OFF	OFF
3	OFF	ON	OFF	OFF	OFF
4	ON	ON	OFF	OFF	OFF
5	OFF	OFF	ON	OFF	OFF
6	ON	OFF	ON	OFF	OFF
7	OFF	ON	ON	OFF	OFF
8	ON	ON	ON	OFF	OFF
9	OFF	OFF	OFF	ON	OFF
10	ON	OFF	OFF	ON	OFF
11	OFF	ON	OFF	ON	OFF
12	ON	ON	OFF	ON	OFF
13	OFF	OFF	ON	ON	OFF
14	ON	OFF	ON	ON	OFF
15	OFF	ON	ON	ON	OFF
16	ON	ON	ON	ON	OFF
17	OFF	OFF	OFF	OFF	ON
18	ON	OFF	OFF	OFF	ON
19	OFF	ON	OFF	OFF	ON
20	ON	ON	OFF	OFF	ON
21	OFF	OFF	ON	OFF	ON
22	ON	OFF	ON	OFF	ON
23	OFF	ON	ON	OFF	ON
24	ON	ON	ON	OFF	ON
25	OFF	OFF	OFF	ON	ON
26	ON	OFF	OFF	ON	ON
27	OFF	ON	OFF	ON	ON
28	ON	ON	OFF	ON	ON
29	OFF	OFF	ON	ON	ON
30	ON	OFF	ON	ON	ON
31	OFF	ON	ON	ON	ON
32	ON	ON	ON	ON	ON

Los 10 interruptores DIP se ubican en el medio de la tarjeta principal del

controlador KT-200. Los cinco primeros (DIP 1 a 5) definen la dirección del KT-200 y los DIP 6 y 7 determinan la velocidad de comunicación, en baudios, del puerto PORT-1. El valor por omisión es de 9600 baudios (con el DIP 6 en posición OFF y el DIP 7 en ON). Consulte la tabla siguiente para configurar los interruptores DIP del controlador KT-200. Para cambiar el DIP de una posición a otra, presione el lado derecho para ponerlo en ON y el lado izquierdo para ponerlo en OFF. Cabe señalar que un cambio de configuración de los interruptores DIP sólo se hace efectivo cuando el controlador se vuelve a prender o cuando se presiona el botón SW3 (Reset) ubicado en la parte inferior izquierda de la tarjeta de circuito impreso del controlador.

EntraPass, WinPass, KL-2200 & KL-8000		
RS-485 Comunicación	DIP 6	DIP 7
1200 baud	OFF	OFF
2400 baud	ON	OFF
9600 baud	OFF	ON
19200 baud	ON	ON

EntraPass V2, Winpass solamente (Controlador 1 solamente)		
	DIP 8	DIP 9
Sin VC-485	ON	ON
Con VC-485	OFF	OFF
Controlador #1 remoto	ON	OFF

Comunicación para KT-2252 EntraPass, KL-2200 & KL-8000		
Comunicación	DIP 9	DIP 10
1200 baudios	OFF	OFF
2400 baudios	ON	OFF
9600 baudios	OFF	ON
19200 baudios	ON	ON

Configurar todos los interruptores no utilizados a OFF

Instalando un sistema sin el VC-485 (Solamente en EntraPass)

- 1) Ubique el puente (J3) en la posición abajo (modo RS-232) en el KT-200.
- 2) Ponga los DIP switches 8 y 9 en la posición ON en el KT-200 que será conectado al computador. (Esto configura el KT-200 como controlador maestro sin módem).
- 3) Ponga el Dip 1 en la posición ON. Presione sobre el botón de Reset (SW3). Ponga el DIP switch 1 a la posición OFF. Presione Reset (SW3) nuevamente (este procedimiento inicializa el KT-200 como controlador maestro con módem).
- 4) Verifique que la posición de los DIP switches 6 y 7 (9600 por defecto) corresponda a la velocidad del software utilizado y a los otros controladores.
- 5) Verifique que el cable de comunicación entre el computador y el controlador esté correctamente conectado.

Instalando el sistema con un VC-485

- 1) Verifique el cableado entre el KT-200 y el VC-485.
- 2) Verifique el cableado entre el VC-485 y el computador.
- 3) Verifique que los tres LEDs del VC-485 estén encendidos.
- 4) Si solo el LED amarillo está encendido, quiere decir que la señal de la computadora está comunicando con el VC-485.
- 5) Si solo el LED rojo está encendido, quiere decir que la señal del controlador está llegando al VC-485. Si el porcentaje de la comunicación es más grande que 0% pero menos que 95%, verifique el cableado de la conexión RS-485. Esto es, si la conexión X+, X- y tierra (GND) no son hechas según nuestras especificaciones, la comunicación podría sufrir alguna degradación.

Paso 11: configuración de los puentes.

Los valores por defecto de los puentes se definen en la fábrica y sólo deben ser modificados para aplicaciones especiales. Como un cambio sólo se hace efectivo después de volver a prender el equipo, asegúrese que el KT-200 esté desenchufado antes de cambiar la configuración de los puentes. Todos

los demás puentes de la tarjeta del controlador deben permanecer en su configuración original. Véase la figura 3.4. en la página siguiente sobre configuración de los puentes.

Número Puente	NOMBRE	UBICACION	VALOR POR DEFECTO	CONFIGURACION ALTERNA
J2	Protocolo comunicación en red PORT-1	medio derecha al lado de los chips de com.	Abajo para RS-485 hacia otros KT-200	Arriba para 20ma hacia otros KT-200
J3	Sólo con controlador del Elevador KT-2252	Debajo de J2	ABAJO RS-232	Arriba para RS-485 hacia KT-2252
J4	SIN USO	Debajo de los DIP	ABAJO	NO USAR
J8	Vigilancia	Abajo en el medio	ARRIBA para vigilancia	NO USAR
J9	Batería RAM no volátil	Abajo en el medio, arriba de J8	ARRIBA para protección de memoria no volátil	Abajo para borrar memoria no volátil

Paso 12. Conexión del KT-200 al bus RS-485.

- Conecte el cable del RS-485 a X1+ y a X1
- Conecte la resistencia amarilla (EOL) en el último KT-200

Los controladores se conectan entre sí a través del protocolo de comunicación RS-485 de sus puertos de comunicación PORT-1. El circuito de comunicación se inicia en el convertidor VC-485. El protocolo RS-485 trabaja fácilmente en altas velocidades (hasta 19.200 baudios); su inmunidad a las interferencias es alta y la longitud máxima del circuito de comunicación, con el cable idóneo, es de 6 kilómetros (18 mil pies) para KL-8000 o de 1,2 kilómetros (4 mil pies) en el caso de EntraPass y WinPass. El circuito de comunicación RS-485 se inicia en el convertidor VC-485 y corre en forma secuencial hasta cada uno de los KT-200 como una sola línea de comunicación. No es posible conectar varios KT-200 a un solo punto y tampoco las conexiones en “Y” o en “telas de araña”. La línea debe pasar por cada uno de los KT-200 y terminar con la resistencia 120 Ohms de final de línea en el último KT-200 en el circuito. De esta manera se asegura que la línea está bien equilibrada y que cada conductor tiene la misma longitud. Un circuito de comunicación de tipo RS-485 debe utilizar un cableado doble-par, de tipo Ethernet grado 3 para redes (ver especificaciones del cableado Belden 1227A).

En condiciones normales, el circuito RS-485 puede trabajar a velocidades entre 9.600 y 19.200 baudios. En caso de problemas intermitentes de comunicación o de errores de manejo, es posible que se requiera disminuir de 2.400 y 1.200 baudios la velocidad de la red, aunque el hecho de variar la velocidad de la red no acarrea cambios perceptibles en la velocidad de operación del sistema. Es preciso en esos casos cambiar la velocidad de comunicación en cada KT-200, configurando los interruptores DIP 6 y 7 como ya se ha indicado. Para que el cambio tenga efecto, es preciso apagar y volver a prender los controladores apretando el botón SW3 ubicados en la parte inferior izquierda de la tarjeta de circuito impreso de cada controlador. Además es necesario también cambiar la velocidad a partir de la microcomputadora del operador.

La configuración de los puentes VC-485 se encuentra documentada en la guía de instalación y configuración del software.

KT-200 Especificaciones Técnicas

Alimentación primaria	24 voltios CA , 75 VA, clase 2
Alimentación de urgencia	2 baterías de 12 V, 7 AH,
Dimensiones del gabinete	(15-5/8")H, (13-3/4")W,(3-15/16")D
Conduit Knock-outs	EMT 1/2" and 3/4" knock-outs.
Peso	6 Kg. (13.8 lbs)
Temperatura de operación	de 2 °C a 40 °C (35 °F a 110 °F)
Humidad	90° de humedad sin condensación
Procesador	Z80 - 6 Mhz, circuito "watchdog"
Tecnologías de lectura	Lectores de tarjetas de tipo Proximidad, Weigand, Banda magnética, Código de barras, Teclados y otros.
Distancia max. de lectores	150 metros (500 pies) del KT-200
Confirmación por NIP	En cada lector equipado de un teclado
Puntos vigilados	16 entradas, NO/NC, w/EOL's
Distancia máxima de puntos	600 metros (2000 pies) AWG#22
Alimentación de cerraduras	27 voltios CC, 250mA máximo
Salidas (outputs) auxiliares	Colector abierto conmutado a tierra 20mA max
Relevadores de control	2 Relevadores 30 VCC/24 VCA, 2A max.
Contacto antivandalismo	Normalmente cerrado
Puertos de comunicación	RS232, RS485 and 20mA
Velocidad de comunicación	Desde 300 a 19,200 baudios
Memoria interna	Mantenida por una pila de litio
Autonomía de la red	Inteligente y datos distribuidos

KT-200 Especificaciones Eléctrica

VOLTAGE DE OUTPUTS	TIPICA	MAX	COMBINADO ABSOLUTO
LOCK 1 (+24/27 VDC) LOCK 2 (+24/27 VDC)	125mA 125mA	500mA	1A
READER 1 V++ (+24/27 VDC) READER 2 V++ (+24/27 VDC)	75mA 75mA	500mA	
+24 V AUXILIARY POWER	250mA	500mA	
READER 1 5V (+5 VDC) READER 2 5V (+5 VDC)	50mA 50mA	500mA	500mA
OUTPUT COLECTOR ABIERO	TIPICA	MAX	NOTAS
OUT 1	20mA	50mA	Las salidas son colector abierto hacia tierra, la corriente esta limitar par una resistencia de 47 ohmios. La tensión es tomada de las mencionadas salidas (5V ó 24V) y deben ser incuidas en sus cálculos respectivos
OUT 2	20mA	50mA	
OUT 3	20mA	50mA	
OUT 4	20mA	50mA	

KT-200 CE Compliance Notice



Instalación de toroide

Todos los cables conectados al KT-200 deben estar enrollados a la toroide tres veces, para mantener conformidad con los estandares CE.

Nota:

- Las toroides deben estar ubicadas en el controlador KT-200.
- Varios cables pueden estar enrollados alrededor de una misma toroide.



Conexión de componentes típica al KT-200

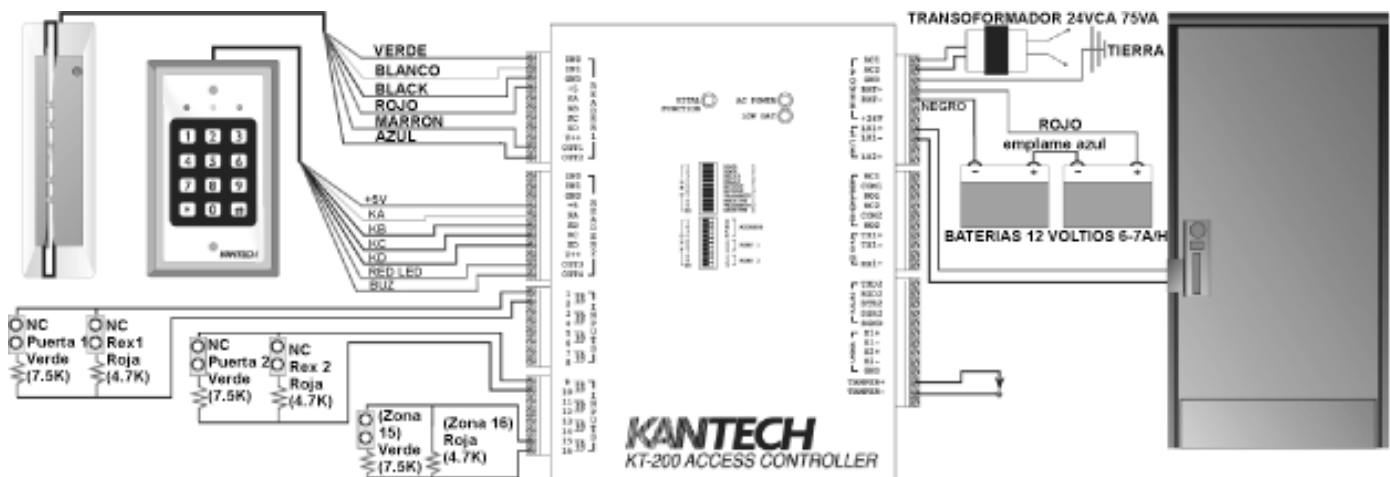


Diagrama de conexión de lazo local sin VC-485 (EntraPass V2 & WinPass solamente)

DESCRIPCIÓN DEL CABLE: CABLE TRENZADO NO PROTEGIDO DE PAR DE DATOS, CALIBRE 24
ETHERNET GRADO 3, REVESTIDO AZUL, 2 PARES, BELDEN #1227a
HASTA 1200 METROS (4000') DESDE VC485 HASTA EL ÚLTIMO CONTROLADOR KT200.

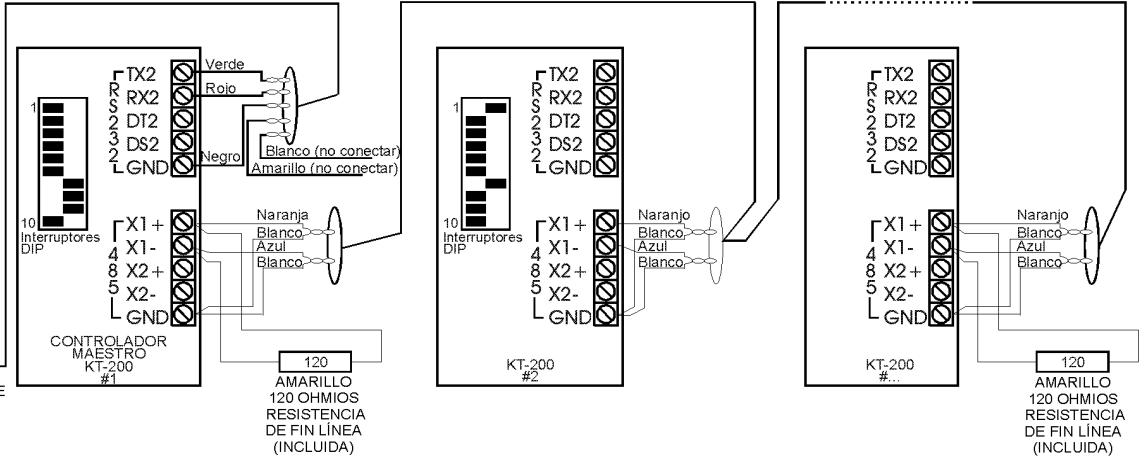
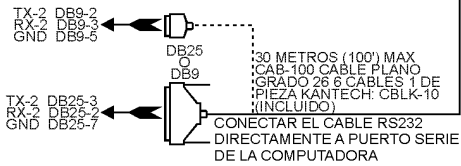
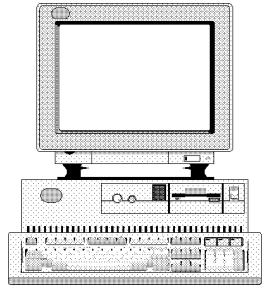
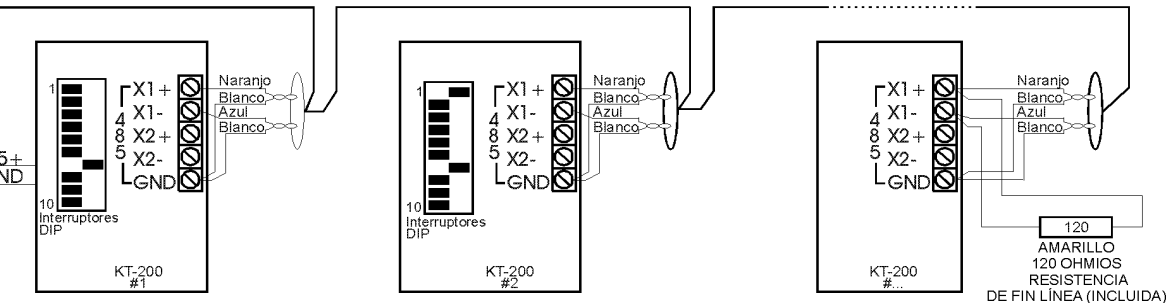
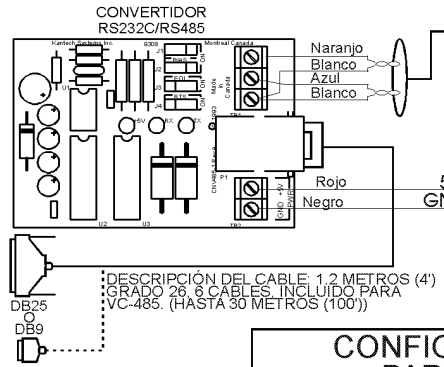
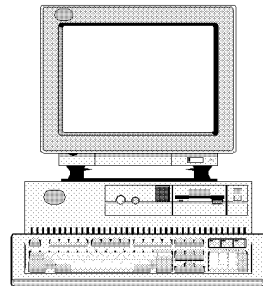
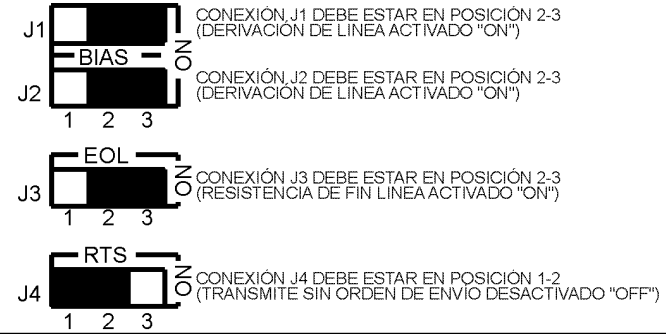


Diagrama de conexión local con VC-485

DESCRIPCIÓN DEL CABLE: CABLE TRENZADO NO PROTEGIDO DE PAR DE DATOS, CALIBRE 24
ETHERNET GRADO 3, REVESTIDO AZUL, 2 PARES, BELDEN #1227a
HASTA 1200 METROS (4000') DESDE VC485 HASTA EL ÚLTIMO CONTROLADOR KT200.



CONFIGURACIÓN DE LA CONEXIÓN PARA ENTRAPASS/WINPASS



CONFIGURACIÓN DE LA CONEXIÓN PARA KL-2200/KL-8000



